

**Christchurch West Amateur  
Radio Club Inc.**

**Official Newsletter**



**Q  
T  
C  
5  
6**



***What's on at the next meeting?"***

***A talk by Gerard Morris on the history of  
Greenwich Mean Time .***

***Visitors and guests most welcome***

***Tuesday 22<sup>nd</sup> Sept 2009***

**Visit the Br 56 web page; <[www.radioamateurs.org.nz](http://www.radioamateurs.org.nz)**

**Christchurch West Amateur Radio Club Inc.**

**NZART Branch 56**

**Clubrooms; Auburn Park, Upper Riccarton,**

**P O Box 31 095, Ilam, Christchurch 8444.**

**Br 56 web page; <www.radioamateurs.org.nz**

<b><i>Branch Officers</i></b>			
<i>President</i>	Baden Melhuish	ZL3VI	384 1584
<i>Vice-President</i>	Keith Stanton	ZL3QH	358 4108
<i>Immediate Past Pres</i>	Mark Carshalton	ZL3BA	322 4518
<i>Secretary*</i>	Doug Pratt	ZL2BCF	322 9961
<i>Treasurer</i>	Peter Tyerman	ZL3IA	332 4885
<i>Committee</i>	Brent Officer	ZL3TUI	385 2742
	Mike Barnes	ZL3TMB	352 2294
	Maurice McNab	ZL3MEM	327 3710
	Bruce Smith	ZL3TFM	343 2432
	John Walker	ZL3IB	348 9084
<i>Trustees</i>	Des Borgfeldt	ZL3ACS	980 9705
	Baden Melhuish	ZL3VI	384 1584
<i>Auditor</i>	Roy Timms	ZL3AIB	358 6347
<b><i>Branch Officials</i></b>			
<i>Archivist</i>	Roy Timms	ZL3AIB	358 6347
<i>EMC Officer</i>	vacant		
<i>Free n'Easy Coordinator</i>	Graeme Johnstone	ZL3JO	981 5990
<i>Librarian</i>	Ron Rowlands	ZL3AIV	348 2747
<i>Morse Admin</i>	Des Borgfeldt	ZL3ACS	980 9705
<i>Morse coaching</i>	vacant		
<i>Newsletter editor #</i>	John Walker	ZL3IB	348 9084
<i>QSL cards</i>	Keith Stanton	ZL3QH	358 4108
<i>ZL3VV Station Mgr</i>	Maurice McNab	ZL3MEM	354 1958
<i>850 Repeater Mgr</i>	Doug Pratt	ZL2BCF	358 5004

**\*Please note change of Secretarial email address; <zl2bcf@nzart.org.nz>**  
# Newsletter editor <john.zl3ib@ihug.co.nz>

**Annual subscription for 2009 is due NOW;**

Individual \$35.00, Family \$40.00, Junior \$17.50

*Treasurer's home address; 37A Penrith Ave, Chch 8002*

Subs can be direct credited to our Westpac Account No. 030802 0590356 00

NB. Please ensure your name is against the bank payment.

If cheques are made "non transferable" or "account payee only" please ensure they are made out to "**Christchurch West Amateur Radio Club Inc.**"

The banks will not accept other names (e.g. Branch 56). Thank you

## General Meeting of the Christchurch West Amateur Radio Club

Tuesday 25<sup>th</sup> August 2009

**Present:** Baden ZL3VI (Chairman), John ZL3IB (Acting-Secretary), 16 members and guests.

**Visitors:**

**Apologies:** Doug ZL2BCF, Graham ZL3SJ and Maurice ZL3MEM.

**Minutes:** Confirmation of minutes of July 2009 meeting.

**Matters arising:** Nil

**Correspondence**

Inward: Eureka Trust; grant of \$1000 to wards window replacements. Chch City Council; renewal of lease.

David ZL3DWS reported grant of \$4000 from Chch City Council to promote Buildathon projects.

Newsletters from QTC 28, Hamlarks 05 and Ragchew 68.

Outward: Nil

**Financial:** 52 financial members. Payments; Newsletters \$12.40.

**Free and Easy report:** Talk by Brent ZL3TUI on "Locks and Keys".

**Classes Report:** Some interest shown recently; 1 student.

**General Business:**

- 1 Windows; decided to proceed with replacement of windows up to \$1000.
- 2 More vandalism; sink waste pipes damaged and require replacement. Discussion on possible means of protection.
- 3 Alan ZL3GX advised that ZL6IARU call sign is available for use by the club station.

*The formal part of the meeting closed at 1950.*

**Program**

*Due to the sudden non-availability of the listed speaker a film "Hitler's Stealth Fighter" was screened. This showed German WW2 attempts to develop a fighter aircraft with a very small radar profile.*

EO&E

**Whats on at the next meeting ?**

***A talk by Gerard Morris on the history of  
Greenwich Mean Time.***

### **Free and Easy**

Our guest for the August meeting was Brent ZL3TUI. This was well attended and everybody enjoyed listening to his topic which covered locks and home security; about which he as a locksmith is very knowledgeable. He had on display a considerable array of his trade, from small padlocks to ones that were large and expensive. The range was completed by combination types including those that would be in daily use by large firms and banks. He also brought along a key-cutting type lathe which he demonstrated with great skill. I thanked Brent for the considerable effort he had gone to in giving us an insight into the enormous variations of items/equipment which he encounters in the course of his daily activities.

Our guest for the 9th of September is Dr Bob Bennett ZL3RU who is going to talk to us about the type 45 valve on which he has done a very considerable amount of research. He has constructed a transmitter which was used during his experiments and will have this on display for the afternoon. Bob is a man with a wealth of talent and I am sure you will find his talk very interesting.

If you are free on that afternoon please come and join us for the afternoon at the clubrooms commencing at 1330 hr at Auburn Reserve, everybody most welcome

73s Graeme ZL3JO

### **ZL3 Buildathon CCC Grant Received**

I'm excited to report that the Christchurch City Council have awarded your club a substantial grant to hold a number of Buildathons over the coming year. This grant firmly acknowledges the great efforts made by many amateurs from all Christchurch Branches and CARDS at the last two Buildathons. Thanks everyone.

Planning is underway to hold Buildathons for three groups. Radio amateurs, 10-13 year olds and Christchurch youth. The CCC have been very helpful in allowing us to speak directly to the latter two groups plus a large number of others.

The objectives for any Buildathon include:

- inform the public amateur radio exists
- build something electronic as a group, that works on the day!
- encourage all participants to tell others about the experience
- further interest in amateur radio / electronics
- have fun!

We now need to decide on suitable electronic kits for the three groups. What would you like to build with a friend, regardless of age? What do you think someone 10-18 years would enjoy building? Ideally with an amateur radio theme. Please feel free to email or telephone with any ideas and suggestions to make the coming Buildathons just as successful as you have helped make the first two!

David W Searle. Email; ZL3DWS@nzart.org.nz, ph 03 358 2424,  
<<http://sites.google.com/site/zl3buildathon/>>

### **IARU Region 3 Conference Call-sign**

The IARU Region III Conference is being held in Christchurch from 12 – 16<sup>th</sup> October 2009.

ZL6IARU will be on the air during Conference time from the venue. The callsign is also available for local Hams to use from 11<sup>th</sup> September until 11<sup>th</sup> November 2009. If you wish to use ZL6IARU contact Alan ZL3GX, <[zl3gx@nzart.org.nz](mailto:zl3gx@nzart.org.nz)> or phone 981 9720 (not in the morning). The details I need are the preferred band, time, days you are available and contact phone number.

73 Alan ZL3GX

## Circuit diagrams; The unreliable dot.

By Kelvin .P.Barnsdale ZL3KB

As you probably know, when a connection is shown in a circuit diagram, the joint should be confirmed with a dot. However, this dot can easily disappear in this digital world. Yes, dots do get vapourised, they can disappear when the circuit is photocopied, scanned or faxed, and this happens more often than you think. Some schematic CAD packages can insert dots by mistake, and some freeware versions even require dots to be added manually!

A four way connection in circuit diagram relies totally on the dot to make it different from a cross over, so I suggest we eradicate these types of joints from our world. A typical four way connection is demonstrated in Figure 1, where the junction of R1 and C1 should connect to the base of Q1.

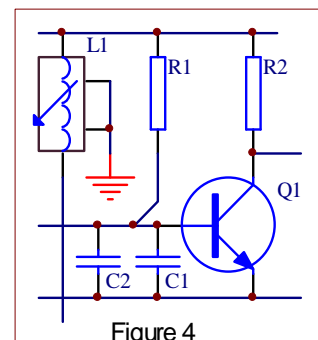
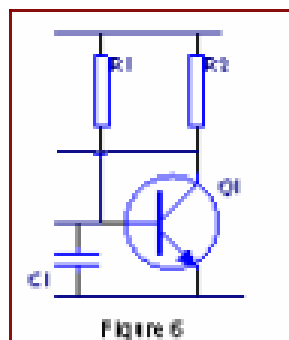
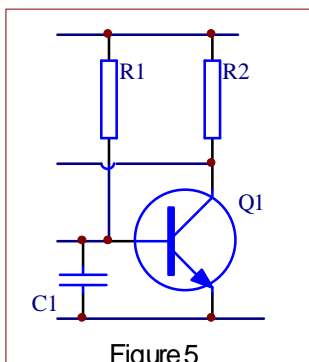
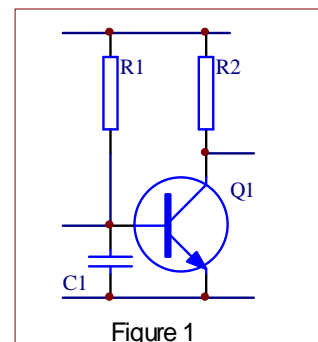
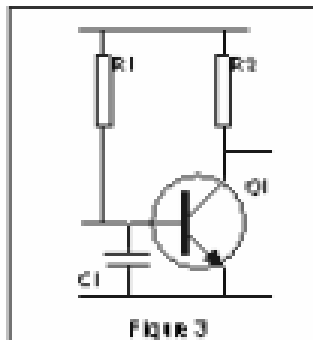
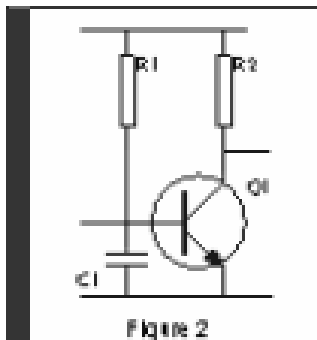
Figure 2 shows the same circuit image after it has been scanned, and now all the dots have disappeared, the connection to Q1 base is lost and R1 C1 appear to form a series network across the supply rail.

If the circuit was drawn with the four way connection avoided, as in figure 3, the circuit function is maintained even when the dots have gone. If you *NEVER* make a four way connection, then losing the dot will not matter, as a Tee-junction can only ever be a junction, and never a crossover.

There is no valid reason to make four way connections; they can be avoided by offsetting the component symbols or wires, as in figure 3. If it is impossible to offset the component, the wire can be dog-legged 45° next to the junction, as shown in figure 4.

Some hand drawn circuits, and the more esoteric CAD packages, can show crossovers as bridges, as shown in figure 5. This also has a drawback, shown in figure 6, as the process of scanning can make the bridge start to appear as a dot!

Once you see the advantages of this rule, I hope you will find the appearance of a “four way” in a circuit to be an eye sore! It is a good habit to kick.



## HAMADS

**For Sale by tender** (on behalf of Avalon Gough-Jones); the highest or any offer may not be accepted. Heathkit items (mostly test gear).. Most items have their original manuals and are in in good condition but have not been tested; sold “As is, where is”.

GC-1A “Mohican” transistor SW Rx;

MT-1 “Cheyenne” mobile Rx, 10 - 80m, 9 valves, incomplete, parts only; unit appears to have been disassembled.

IG-82 Signal generator, + EF3 adapter unit;

IT-22 Capaci-tester ;

IT-12 Visual-aural signal tracer;

IT-10 Transistor-diode checker;

ID-29 Auto tune-up meter;

IO-12 Oscilloscope 5” tube, + EF2 scope applications unit;

MM-1 Volt/Ohm meter;

EI-1 Vacuum tube voltmeter, + EF1 applications unit;

IG-82 Sine-square wave generator, 25Hz – 1MHz;

IG-102 RF signal generator 100kHz – 110 MHz;

X-3 RF probe.

For more info on Heathkits see

<<http://www.nostalgickitscentral.com/heath/products/test.html>>

“AVOminor” Mk4, multimeter with leather case but no test leads..

Yaesu FT-200 transceiver, with x2 spare 6SJ6 final tubes (condition unknown)

Transmission line ceramic spreader, 6 inch wide; 10 items.

Antenna “egg” insulators; white. 2 lots of 6 items

Antenna insulators; ceramic, green electric fence type; 8 lots of 6 units.

Valves; types 6L6 (x3)

Morse key, type GPO90; a vintage item

Morse key & buzzer

AKAYO coax antenna switch

Aluminium project boxes (x6)

For more detailed information please send SAE (220x110 size) to John Walker, 19 Athol Tce, Christchurch 8041 or email <[john.zl3ib@ihug.co.nz](mailto:john.zl3ib@ihug.co.nz)>.

**For Sale.** Home-brew linear amp; part-built; lots of useful parts including chassis, case, meters, variable caps, ceramic switches, computer grade HV electrolytic caps, 6xPL519 (NOS) sweep tubes, etc. No reasonable offer refused. Contact John ZL3IB <[john.zl3ib@ihug.co.nz](mailto:john.zl3ib@ihug.co.nz)> for full details.

**For Sale.** ICOM IC10 Scanning Communications Receiver & Wideband Handheld for sale. Additional antenna, charger, user and service manuals. VGC. Email or call for full spec. and brochure. New \$800. Reasonable offers sought. David Searle <[ZL3DWS@nzart.org.nz](mailto:ZL3DWS@nzart.org.nz)>, 03 358 9776

**Wanted.** Straight Morse key and oscillator wanted for 81 year old Buildathon “student” who wants to learn Morse code. Can you help? Please call David Searle <[ZL3DWS@nzart.org.nz](mailto:ZL3DWS@nzart.org.nz)> ph 03 358 9776

**HAMADS** in QTC56 are a free service to members.

Send to John ZL3IB at <[john.zl3ib@ihug.co.nz](mailto:john.zl3ib@ihug.co.nz)>.

## Calendar for 2009

**ZL3VV on air;** Tuesday evenings, contact Maurice ZL3MEM.

**Theory and CW classes, Workshop activities, etc.** Wednesdays at 1930 hr when required.

**CARDS meeting,** 3<sup>rd</sup> Wednesday; All welcome.

**Free & Easy -** Second Wednesday at 1330 (1.30pm)

Jan	Feb	Mar	Apr	May	Jun	Jul	Aug	Sept	Oct	Nov	Dec
	11	11	8	13	10	8	12	9	14	11	9

**Committee Meeting -** Third Tuesday at 1930 (7.30pm)

Jan	Feb	Mar	Apr	May	Jun	Jul	Aug	Sept	Oct	Nov	Dec
	17	17	21	19	16	21	18	15	20	17	

**General Meeting -** Fourth Tuesday at 1930 (7.30pm)

Jan	Feb	Mar	Apr	May	Jun	Jul	Aug	Sept	Oct	Nov	Dec
26	23	23	27	26	23	28	25	22	27	24	

### **Free & Easy:**

9<sup>th</sup> Sept      Dr Bob Bennett ZL3RU who is going to talk to us about his research on the type 45 valve.

### **General Meetings**

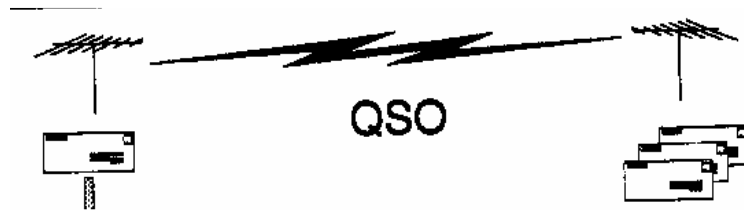
22<sup>nd</sup> Sept      A talk by Gerard Morris on the history of GMT.

*Your committee welcomes suggestions for topics and/or offers of talks for Branch meetings.*

### **Interested in Old Radios?**

The Christchurch section of the NZ Vintage Radio Society now meet in our club rooms. Meetings are normally held on alternate months on the first Tuesday of the month. If you are interested please contact Jim Lovell ZL3AGS (ph 342 7760) or David Chapple, email <canda@netaccess.co.nz> for more information.

# QTC56



**Monthly Newsletter**

**Christchurch West Amateur Radio Club Inc.**

**NZART Branch 56**