

**Christchurch West Amateur
Radio Club Inc.**



Official Newsletter

Branch 56 website; www.radioamateurs.org.nz

**Q
T
C
5
6**



What's on at the next meeting?"

***"To Russia with Keith;
Cruising the Volga River"***

Visitors and guests most welcome

28th October 2008

Visit the NZART website <http://www.nzart.org.nz>

Christchurch West Amateur Radio Club Inc.

NZART Branch 56

Clubrooms; Auburn Park, Upper Riccarton,

P O Box 31 095, Ilam, Christchurch 8144.

Branch 56 web page; <www.radioamateurs.org.nz>

<i>Branch Officers</i>			
<i>President</i>	Mark Carshalton	ZL3BA	322 4518
<i>Vice-President</i>	Baden Melhuish	ZL3VI	384 1584
<i>Immediate Past Pres</i>	Doug Pratt	ZL2BCF	322 9961
<i>Secretary*</i>	John Walker	ZL3IB	348 9084
<i>Treasurer</i>	Peter Tyerman	ZL3IA	332 4885
<i>Committee</i>	Mike Barnes	ZL3TMB	352 2294
	Maurice McNab	ZL3MEM	327 3710
	Brent Officer	ZL3TUI	385 2742
	Bruce Smith	ZL3TFM	343 2432
	Keith Stanton	ZL3QH	358 4108
<i>Trustees</i>	Des Borgfeldt	ZL3ACS	980 9705
	Baden Melhuish	ZL3VI	384 1584
<i>Auditor</i>	Roy Timms	ZL3AIB	358 6347
<i>Branch Officials</i>			
<i>Archivist</i>	Roy Timms	ZL3AIB	358 6347
<i>EMC Officer</i>	vacant		
<i>Free n'Easy Coordinator</i>	Graeme Johnstone	ZL3JO	981 5990
<i>Librarian</i>	Ron Rowlands	ZL3AIV	348 2747
<i>Morse Admin</i>	Des Borgfeldt	ZL3ACS	980 9705
<i>Morse coaching</i>	vacant		
<i>Newsletter editor*</i>	John Walker	ZL3IB	348 9084
<i>QSL cards</i>	Keith Stanton	ZL3QH	358 4108
<i>Webmaster</i>	Keith Stanton	ZL3QH	358 4108
<i>ZL3VV Station Mgr</i>	Maurice McNab	ZL3MEM	327 3710
<i>850 Repeater Mgr</i>	Doug Pratt	ZL2BCF	358 5004

*Email address; <z3ib@nzart.org.nz>

Annual subscriptions;

Individual \$35.00, Family \$40.00, Junior \$17.50

Treasurer's home address; 37A Penrith Ave, Chch 8002

Subs can be direct credited to our Westpac Account No. 030802 0590356 00

NB. Please ensure your name is against the bank payment.

If cheques are made "non transferable" or "account payee only" please ensure they are made out to "Christchurch West Amateur Radio Club Inc.". The banks will not accept other names (e.g. Branch 56). Thank you

General Meeting of the Christchurch West Amateur Radio Club Sept 23rd 2008

There was no formal Branch meeting in September. Instead a number of members were fortunate enough to be allowed to visit the Airways Control Centre in Christchurch.

We were escorted around the Centre by Doug Pratt and Mal Ellis and we are most grateful to them giving up their evening and making this tour possible. It was extremely interesting to learn how the movements of aircraft throughout NZ and adjacent Pacific areas were monitored and controlled from Christchurch.

The September Column Inch

Well September was a great month. The highlight for me was a visit to the Air Traffic Control Centre at Airways Corp. The trip was organised by Doug Pratt. It does help to be on the correct side of the building. My thanks to Mike ZL3TMB for resolving that problem.

Regrettably the tour ran out of time, however Doug has very kindly offered to give us a follow up lecture on air traffic. *GREAT* we have a another lecture for 2009!!

The Club Room's lease has run out and we are in contact with the City Council to re-negotiate a new tenancy agreement. Hopefully this will be complete by the end of October.

This month October 2008 is going to be busy as we have JOTA and we have been asked if we can host the event at our Club Rooms. The Lincoln Scouts have already asked us about our participation. JOTA is on the week-end before the Labour Week-End; *i.e.* 17, 18, 19th Oct. After that we have Dave Searle's Buildathon on 1st Nov.

73 Mark ZL3BA

Free n'Easy Group

Our guest for the afternoon of the 10th of September was David ZL3DWS who gave us a PowerPoint presentation of Bletchley Park which included interviews with personnel who worked at this facility during the years in which it was operational. Because of the nature of the work being carried out it was not possible to discuss the inside workings of the complex previously because of the Official Secrets Act which, if not adhered to strictly incurred very severe penalties. A number of photographs were included going back to 1939 when the Government Code and Cipher School commenced courses.

David preceded this with an outline of the Canterbury Branches "Buildathon" which covered its intentions and objectives.

The group present thoroughly enjoyed the afternoon and I thanked him for his efforts in making this possible.

Our guest on the afternoon of the 8th of October is Senior Constable Brian Price from the Christchurch Police who will give a PowerPoint presentation of "Finger Print and DNA" techniques, this technology has advanced very significantly in recent years to the point where it is impossible for anyone to enter a building and not leave identifiable traces behind. If you are free on that afternoon commencing at 1330 hr come and join us; all will be revealed!

73s Graeme ZL3JO

HAMADS

HAMADS in QTC56 are a free service to members.

Send to John ZL3IB at <zl3ib@nzart.org.nz >.

ZL3 Buildathon Project Update

September 2008

Following the great support received from all the Christchurch Branches to the proposal for a ZL3 Buildathon, it will be held on 1st November Saturday 9:00am at Kendal School, Kendal Ave, Burnside

We'll be in the Kendal School Hall at 9am, finishing about 1pm. Plenty of parking, tea, coffee, etc.

A second get together is planned for 29th November, same place, same time, to finish construction, troubleshoot, review case ideas, award prizes. TRF Receiver Kits are free to all budding hams not in paid employment.

\$250.00 NZART Radio Science Education Trust; grant approved.

Grateful thanks to John Walker ZL3IB, Graeme Fraser ZL3SJ and the other Trustees for the award of \$250 to give a tremendous kick start to this project. It will be used to buy parts and other items once we've finished the scrounging phase!

Yahoo Group set up <<http://groups.yahoo.com/group/ZL3Buildathon/>>

So that Buildathon Buddies and their budding hams can swap ideas on how to case their receiver, modify and improve them in true Canterbury Ham fashion, a Yahoo Group has been created. To join, simply log on to the above address.

Parts donated to date; a big thank you to the following;

Paul ZL3TX, David ZL3AI, Kelvin ZL3KB, Rory ZL3HB, Dick Smith Electronics, Far Circuits USA, Bert ZL3ADL, G-QRP CLUB UK, Tony ZL3HAM, Malcolm ZL3UU.

Parts wanted

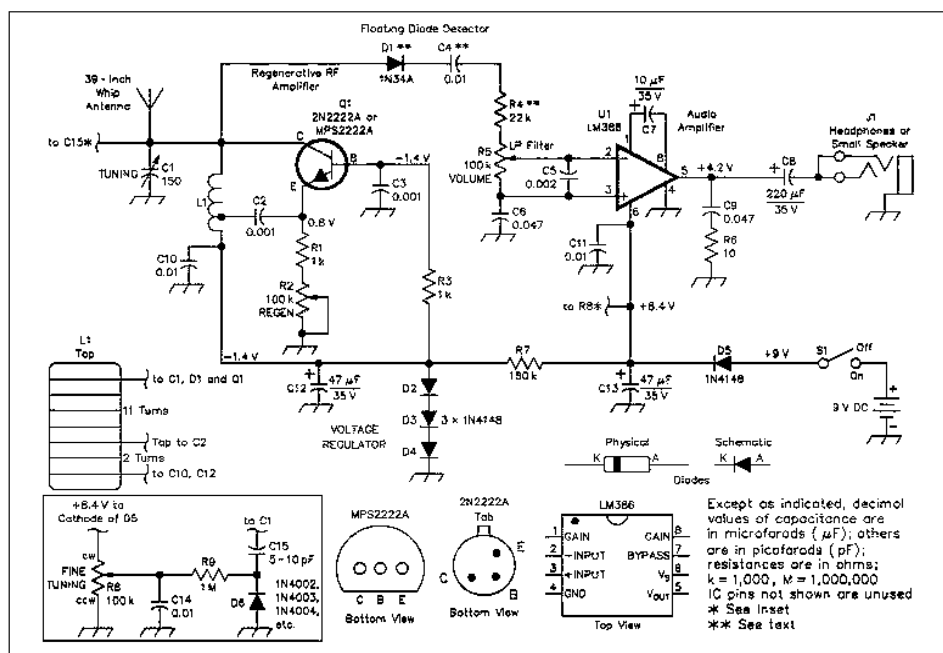
To help keep initial costs as low as possible we seek the following 150pF variable capacitors or similar (why?) Tuning dials; Rotary / slide (why?) Reduction drives, 2N2222A, LM386, 1N4003, 1N4148, Germanium diodes, 100k Linear pots.

To join in the fun

If you would like to join the ZL3 Buildathon on November 1st, provide some parts, make a small donation or suggest others who might like to join in, please contact now:

David W Searle ZL3DWS <ZL3DWS@nzart.org.nz>ph 03 358 9776 or 021 039 1764

Spread the word! Let's create a legacy we can all be proud of.



Tips for new amateurs; inexpensive test equipment.

(Abstracted from "On the bench"; by Frank Merritt VE7FPM Email <ve7fpm@shaw.ca>
The Canadian Amateur Feb 2005)

Contrary to common thinking, it is not always necessary to have expensive test equipment to get the job done. Obviously, there is still a great requirement to use advanced test equipment for some operations, but very simple units can be put to good use in some cases.

Years ago the writer put together a simple dummy load for QRP VHF. This was put to good use recently to diagnose a lack of operation in the VHF part of the station. With this device it was very easy to determine that there was no RF power going through an antenna switch. With power going into the switch there was nothing coming out. The nice thing about it is the fact that this dummy load consists of three #1819 filament lamps and sockets wired in parallel. More than 10 watts will blow one or more of the bulbs so be careful.

For many years the "Hints And Kinks" column of *QST* has been a never-ending source of ideas for simple test equipment. Every year the ARRL publishes a yearbook version of the "Hints And Kinks" articles from *QSTs* of the previous year.

One of the easiest ways to check the operation of an AF amplifier is by applying the finger to the input terminal of the AF Gain potentiometer, with the potentiometer in the fully clockwise position. A hum should be heard. If this hum is heard, the potentiometer should be slowly rotated counter-clockwise giving a gradual decrease in the amplitude of the hum. If the audio drops out or is scratchy the potentiometer should be given a shot of CRC® or similar cleaner.

The AF/RF signal injector is a marvellous device for troubleshooting amplifiers and receivers. This device is a simple transistor flip-flop oscillator operating at about 1 kHz and the output is rich in harmonics which permits it to be used at radio frequencies. Thus it injects a wideband signal that can be traced through a circuit to detect a failure. This is not a calibrated device but rather a brute-force signal injector that is quick and easy to use. The writer has used this device to failure diagnose just about any type of signal failure in a radio or TV. Don't overlook this one.

A hot soldering iron and a can of cold spray can often be used to diagnose failure faults in solid state devices. There are certain intermittent failures that can be forced into either failure or non-failure by the use of the cold spray. Alternately, the hot soldering iron can sometimes force a failure of a solid state device. Again, this is not a scientific approach but very often it works but use care.

An absolutely indispensable device in the shack or work area is the bulldog paper clip. These can be obtained at a stationery store and provide a paper grasp of some 70mm with two large ears with holes. It is only necessary to use a nail or two to support the clip to position the schematic in such a position that it is possible to view it in that difficult repair.

In Amateur Radio it is necessary to have a way to lubricate out of the way bearings etc and a small hypodermic syringe filled with engine oil does the job perfectly. The author uses two sizes of hypodermic syringe, a larger 10ml one for "regular" lubrication and 5 ml for those tough spots. Be sure to get needles that are long enough and have a big enough diameter needle to pass the relatively low viscosity engine oil.

In summary, test equipment is usually a vital element of ham radio but just how much and to what function is the choice of the operator. The point here is that many types of very serviceable test equipment can be constructed at a very minimum cost by the ham who needs it. Above all, think about it and do what you can.

Membership

Are you an active member, the kind that would be missed?

Or are you just contented your name is on the list?

Do you attend meetings and mingle with the flock

Or do you stay at home and criticise and knock?

Do you take an active part to help the work along

Or are you satisfied to be the kind that just belong?

Do you ever go to visit a member who is sick

Or leave the work to just a few, and moan about the clique?

Don't just be a member, but take an active part,

Come to every meeting and help with hand and heart.

Think this over, member, you know right from wrong

Are you an active member; or do you just belong?

Anon

Changing your details within the SMART Database.

It should be emphasised that is the legal responsibility of each radio amateur to ensure that their details held by RSM are current. I have been asked to provide a procedure to describe how to have your details changed within the SMART database.

Those who are computer literate will be able to follow the procedure shown on page 27 of the November – December 2007 *Break-In*, and make changes there. Remember, you will require your client key, client password and client ID to be able to do this.

For those who are “not computer literate”, you may phone RSM on 0508 776 4636 and ask them to change your information or write to them at PO Box 2847, Wellington 6140. Please ask for verification that changes have been made.

Tony Case ZL1UD for NZART Council.

Computers and Internet Access

Do you have a computer and would like some help/instruction with using it to access E-mail and the Internet? The Club is considering offering suitable tuition classes at a basic level if there is sufficient demand. If you don't own a computer the Club may be able to provide some secondhand machines for purchase at a very reasonable price.

For more information please contact:

Keith Stanton ZL3QH phone 358 4108

or Mike Barnes ZL3TMB email <zl3tmb@nzart.org.nz>

Calendar for 2008

ZL3VV on air; Tuesdays evenings, contact Maurice ZL3MEM.

Theory and CW classes, Workshop activities, etc. Wednesdays at 1930 hr when required.

CARDS meeting. 3rd Wednesday; All welcome.

Free & Easy - Second Wednesday at 1330 (1.30pm)

Jan	Feb	Mar	Apr	May	Jun	Jul	Aug	Sept	Oct	Nov	Dec
	13	13	9	14	11	9	13	10	8	11	10

Committee Meeting - Third Tuesday at 1930 (7.30pm)

Jan	Feb	Mar	Apr	May	Jun	Jul	Aug	Sept	Oct	Nov	Dec
22 ?	19	18	15	20	17	15	19	16	21	18	

General Meeting - Fourth Tuesday at 1930 (7.30pm)

Jan	Feb	Mar	Apr	May	Jun	Jul	Aug	Sept	Oct	Nov	Dec
29	26	25	22	27	24	22	26	23	28	25	

Free & Easy:

8th October; "Finger Prints and DNA"; a presentation by Senior Constable Brian Price from the Christchurch Police.

General Meetings

28th October "To Russia with Keith; Cruising the Volga River". Keith Stanton ZL3QH will give a PowerPoint presentation about his recent trip to Russia.

Your committee welcomes suggestions for topics and/or offers of talks for Branch meetings.

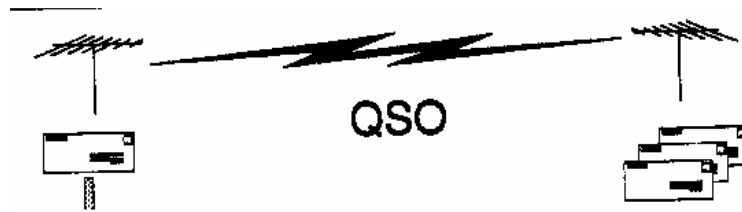
Interested in Old Radios?

The Christchurch section of the NZ Vintage Radio Society now meet in our club rooms. Meetings are normally held on alternate months on the first Tuesday of the month. If you are interested please contact Jim Lovell ZL3AGS (ph 342 7760) or David Chapple, email <canda@netaccess.co.nz> for more information.

Next meeting; 4th November

Your committee welcomes suggestions for topics and/or offers of talks for Branch meetings.

QTC56



Monthly Newsletter

Christchurch West Amateur Radio Club Inc.

NZART Branch 56